

# About Single Compression Glands



Powered by high quality brass as raw material, our **Single Compression Cable Gland** will never cause any issues. You can provide your requirements to us, and we will deliver excellent quality cable glands in no time. The rates charged at [GIE Cable Gland](http://www.giecableglands.com) are highly reasonable.

# Technical Data of Single Compression Cable Gland

*Material : Brass (IS-319) Standard – (Al. / S.S. / M.S. also available)*

*Plating : Nickle Plated Standard – (Chrome also available)*

*Entry Threads : Metric threads with 1.5 pitch as per IS 4218 standard*

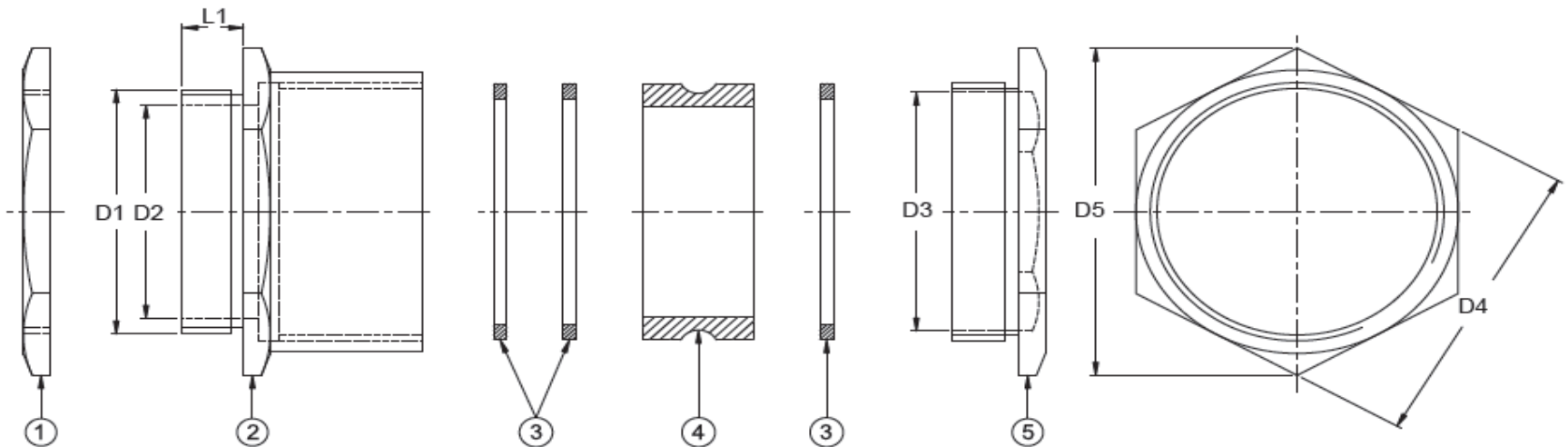
*Sealing Rubber Ring : Synthetic / Natural*

*Gland Standard : IS 12943 : 1990*

*Ingress Protection : IP 60 as per IS 12063*

# Single Compression Cable Gland Application:

- ❑ Can be used in normal climatic condition. Also when protected by PVC shrouds it can be used in corrosive atmosphere.
- ❑ These glands are available in different sizes and are suitable for all cables upto 1000 sq. mm. and control cables upto 61 cores.



# Single Compression Cable Gland Accessories:

- PVC Shroud, Earth Tag, Stopping Plug, Reducer, Adapter, etc. are available with specified dimensions in accordance to the Gland separately.



# Some Useful Information about Single Compression Cable Glands

## How Many Types of Cable Gland?

1. Brass Indoor Type Gland
2. Brass Outdoor Type Gland
3. Brass Straightening Unarmored Cable Gland
4. [Brass Weather Proof Gland](#)
5. PG Threaded Gland:
6. Industrial Type Gland
7. Single Compression Cable Glands
8. [Double Glands](#)

# Single Compression Cable Gland Selection Chart

Suitable Cable Overall Dia		Size Code	D1 Nipple Entry Threads in Metrics	D2 Dia.	D3 Dia.	D4 (A/F)	D5 (A/C)	L1 Length
From	To	SCG	mm	∅ mm	∅ mm	mm	mm	mm
9.0	12.0	SCG 1	16 x 1.5	12.0	16.0	22.0	25.5	9.0
12.0	15.0	SCG 2	16 x 1.5	12.0	18.5	25.0	29.0	9.0
12.0	15.0	SCG 3	20 x 1.5	15.0	18.5	25.0	29.0	9.0
15.0	18.0	SCG 4	20 x 1.5	15.0	24.0	30.0	34.5	9.5
16.0	20.0	SCG 5	25 x 1.5	20.5	24.0	31.5	36.0	9.5
20.0	24.0	SCG 6	25 x 1.5	20.5	28.5	35.0	40.0	10.0
24.0	28.0	SCG 7	32 x 1.5	27.0	33.0	40.0	46.0	12.0
28.0	32.0	SCG 8	40 x 1.5	34.0	37.0	46.0	53.0	12.0
33.0	37.0	SCG 9	40 x 1.5	34.0	41.0	50.0	57.5	12.0
37.0	42.0	SCG 10	50 x 1.5	44.0	47.0	58.0	67.0	13.0
43.0	48.0	SCG 11	50 x 1.5	44.0	52.0	65.0	75.0	13.0
49.0	54.0	SCG 12	63 x 1.5	55.0	61.5	73.0	84.0	14.0
55.0	60.0	SCG 13	63 x 1.5	55.0	65.0	77.0	89.0	14.0
61.0	66.0	SCG 14	75 x 1.5	68.0	71.0	85.0	98.0	15.0
67.0	72.0	SCG 15	75 x 1.5	67.0	76.0	90.0	104.0	15.0
73.0	78.0	SCG 16	82 x 1.5	73.0	82.0	97.0	112.0	17.0
79.0	84.0	SCG 17	90 x 1.5	81.0	91.0	108.0	124.0	19.0
84.5	92.0	SCG 18	100 x 1.5	91.0	98.0	117.0	135.0	20.0
93.0	100.0	SCG 19	110 x 1.5	100.0	107.0	127.0	146.0	25.0
101.0	115.0	SCG 20	125 x 1.5	113.0	118.0	142.0	164.0	25.0

# Difference Between Double and Single Compression Cable Gland

## Single Compression Cable Glands

1. In Single – No Cone and Cone Ring
2. Single Compression Cable Glands used in every motors
3. single compression glands provide extra support to the light armored cables entering.
4. **Parts of Single compression Cable glands:**
  - A. Gland body
  - B. Gland body Nut
  - C. Neopen Rubber seal.
  - D. Rubber Washer
  - E. Check Nut
  - F. Flat washer

# Double

1. In Double – only cone and cone ring
2. Used in [FLP motors](#) for intrinsic safety
3. Provide extra support to the heavy armored cables entering.
4. Parts:
  - A. Gland body
  - B. Gland body Nut
  - C. Cone
  - D. Cone Ring
  - E. Neopen Rubber seal.
  - F. Rubber Washer

Get Single Compression Cable Glands Price List Now! [CONTACT US](#)

**GIE Cable Glands - [www.giecableglands.com](http://www.giecableglands.com)**