



SURYODAY ENTERPRISES



EXPLOSION PROOF & WEATHER PROOF

We provide Fire Proof and weather proof cable glands at affordable price. We know the value of customer safety and hence manufacturing best quality.





ABOUT SINGLE COMPRESSION GLANDS

Powered by high quality brass as raw material, our **Single Compression Cable Gland** will never cause any issues. You can provide your requirements to us, and we will deliver excellent quality cable glands in no time. The rates charged at [GIE Cable Gland](#) are highly reasonable.

Single Compression Cable Gland Selection Chart

Suitable Cable Overall Dia		Size Code	D1 Nipple Entry Threads in Metrics	D2 Dia.	D3 Dia.	D4 (A/F)	D5 (A/C)	L1 Length
From	To	SCG	mm	∅ mm	∅ mm	mm	mm	mm
9.0	12.0	SCG 1	16 x 1.5	12.0	16.0	22.0	25.5	9.0
12.0	15.0	SCG 2	16 x 1.5	12.0	18.5	25.0	29.0	9.0
12.0	15.0	SCG 3	20 x 1.5	15.0	18.5	25.0	29.0	9.0
15.0	18.0	SCG 4	20 x 1.5	15.0	24.0	30.0	34.5	9.5
16.0	20.0	SCG 5	25 x 1.5	20.5	24.0	31.5	36.0	9.5
20.0	24.0	SCG 6	25 x 1.5	20.5	28.5	35.0	40.0	10.0
24.0	28.0	SCG 7	32 x 1.5	27.0	33.0	40.0	46.0	12.0
28.0	32.0	SCG 8	40 x 1.5	34.0	37.0	46.0	53.0	12.0
33.0	37.0	SCG 9	40 x 1.5	34.0	41.0	50.0	57.5	12.0
37.0	42.0	SCG 10	50 x 1.5	44.0	47.0	58.0	67.0	13.0
43.0	48.0	SCG 11	50 x 1.5	44.0	52.0	65.0	75.0	13.0
49.0	54.0	SCG 12	63 x 1.5	55.0	61.5	73.0	84.0	14.0
55.0	60.0	SCG 13	63 x 1.5	55.0	65.0	77.0	89.0	14.0
61.0	66.0	SCG 14	75 x 1.5	68.0	71.0	85.0	98.0	15.0
67.0	72.0	SCG 15	75 x 1.5	67.0	76.0	90.0	104.0	15.0
73.0	78.0	SCG 16	82 x 1.5	73.0	82.0	97.0	112.0	17.0
79.0	84.0	SCG 17	90 x 1.5	81.0	91.0	108.0	124.0	19.0
84.5	92.0	SCG 18	100 x 1.5	91.0	98.0	117.0	135.0	20.0
93.0	100.0	SCG 19	110 x 1.5	100.0	107.0	127.0	146.0	25.0
101.0	115.0	SCG 20	125 x 1.5	113.0	118.0	142.0	164.0	25.0

Technical Data of Single Compression Cable Gland

Material : Brass (IS-319) Standard – (Al. / S.S. / M.S. also available)

Plating : Nickle Plated Standard – (Chrome also available)

Entry Threads : Metric threads with 1.5 pitch as per IS 4218 standard

Sealing Rubber Ring : Synthetic / Natural

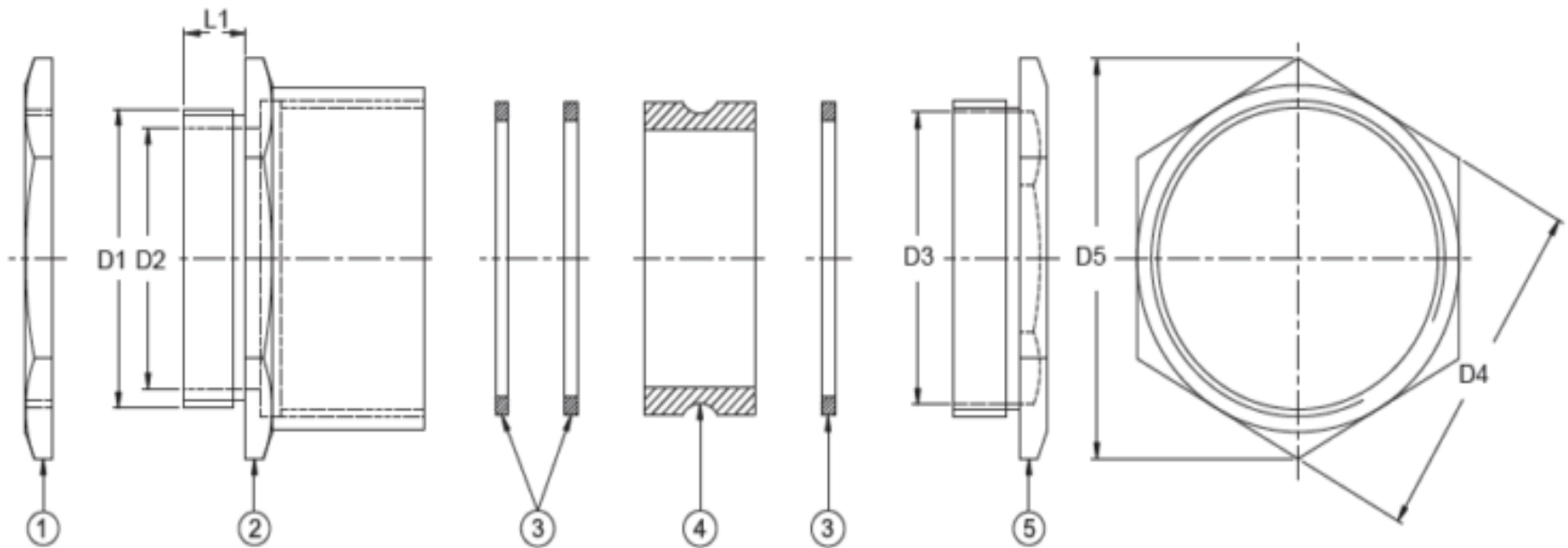
Gland Standard : IS 12943 : 1990

Ingress Protection : IP 60 as per IS 12063

Single Compression Cable Gland Application:

Can be used in normal climatic condition. Also when protected by [PVC shrouds](#) it can be used in corrosive atmosphere.

These glands are available in **different sizes** and are suitable for all cables upto 1000 sq. mm. and control cables upto 61 cores.



Single Compression Cable Gland Accessories:

PVC Shroud, Earth Tag, Stopping Plug, Reducer, Adapter, etc. are available with specified dimensions in accordance to the Gland separately.



How Many Types of Cable Gland?

1. Brass Indoor Type Gland
2. Brass Outdoor Type Gland
3. Brass Straighting Unarmored Cable Gland
4. [Brass Weather Proof Gland](#)
5. PG Threaded Gland:
6. Industrial Type Gland
7. Single Compression Cable Glands
8. [Double Compression Cable Glands](#)

Difference Between Double and Single Compression Cable Gland

Single Compression Cable Glands

1. In Single – No Cone and Cone Ring
2. Single Compression Cable Glands used in every motors
3. single compression glands provide extra support to the light armored cables entering.

4. Parts of Single compression Cable glands:

- A. Gland body
- B. Gland body Nut
- C. Neopen Rubber seal.
- D. Rubber Washer
- E. Check Nut
- F. Flat washer

Double Compression Cable Glands

1. In Double – only cone and cone ring
2. Used in [FLP motors](#) for intrinsic safety
3. Provide extra support to the heavy armored cables entering.

4. Parts:

- A. Gland body
- B. Gland body Nut
- C. Cone
- D. Cone Ring
- E. Neopen Rubber seal.
- F. Rubber Washer

Get Single Compression Cable Glands **Price List** Now! [CONTACT US](#)